



PAC TANGENTIAL AIR CURTAIN

Utilizing proven “tangential” air flow technology, the uniquely designed PAC Tangential Air Curtain provides a long, flat, laminar jet stream of air. Unlike the turbulent flow pattern of regular air curtains, which often generate secondary air flows, the unique laminar flow pattern from the PAC Tangential Air curtain actually works to reduce secondary flows. The results are smaller losses of heat, dust or fume. The additional use of factory installed adjustable discharge vanes and optional VFD, allow for maximum directional and flow control.

Ideal for sealing interior or exterior shipping doors, controlling dust, fumes, insects, protecting product quality and employees comfort.

If you're in an industrial environment you need an industrial air curtain ... the PAC Tangential Air Curtain.

Standard Construction Features

- Belt or Direct Drive
- Motor Mounted Externally
- 14 g. OSHA Safety Screens
- Adjustable Discharge Vanes
- 16 g. Satin Coat Steel Housing
- 14” wide Laminar Flow Discharge
- Heavy Duty Pillow Block Bearings
- Dynamically Balanced and Test Run
- 10” dia. Welded Steel Tangential Rotors
- Powder Coated and Baked Enamel Finish

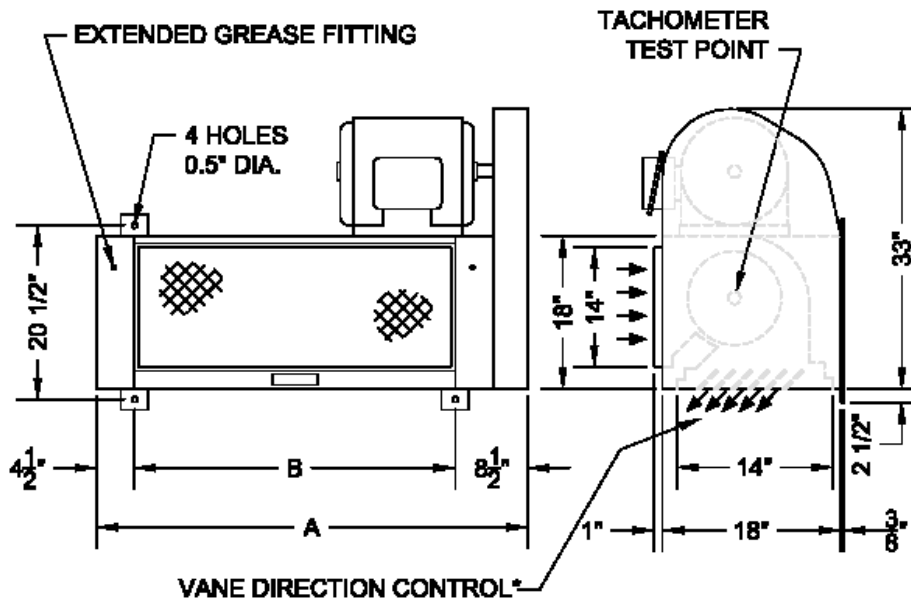
Optional Items

- ATEX Motors
- Variable Frequency Drive
- Overhead or Side Mounting
- Stainless Steel Construction
- EEMAC (NEMA) 12 Control Panel
- Single phase, three phase, 50 Hz & 60 Hz



PAC TANGENTIAL AIR CURTAIN

Daltec ... industrial equipment for industrial applications



Dimensions (inches)		
Sizes	A	B
S-66	14'-5"	13'-4"
S-56	13'-5"	12'-4"
S-55	12'-5"	11'-4"
S-45	11'-5"	10'-4"
S-44	10'-5"	9'-4"
S-34	9'-5"	8'-4"
S-33	8'-5"	7'-4"
S-06	7'-2.75"	6'-1.75"
S-05	6'-2.75"	5'-1.75"
S-04	5'-2.75"	4'-1.75"
S-03	4'-2.75"	3'-1.75"

Why Use A PAC Tangential Blower

PAC Tangential Blowers provide higher performances than forward curve blowers do

Tangential Blowers offer very quiet airflow due to their low velocity

PAC Tangential Blowers provide larger energy savings meaning quicker payback on capital costs

PAC Tangential Blowers offer heavy industrial construction

Custom designed for any opening size. We specialize in large

For cold weather applications, the addition of heat is optional, but NOT normally required

PAC Air Curtain Can

Stop outside conditions from entering building: cold / heat; insects; odour; dust

Confine internal conditions: cold from freezer; oven, furnace, foundry or process heat; odour, smoke chemical, acid or paint fume

Convey fumes, dust, heat, and odour without ductwork or hoods

PAC Air Curtain Can Not

Stop outside air from entering building if:

- 1) Building is under a **severe negative pressure**
- 2) Building is under **excessive stack effect**

Also Available From Daltec



Typical PAC Users

- Automotive
- Pulp & Paper Mills
- Mining
- Steel Mills
- Cold Storage
- Industrial Freezers
- Warehousing
- Foundries
- Clean Rooms



Canada:
 Daltec Industries Ltd.
 Guelph, Ontario, N1E 5V5
 Tel: (519) 837-1921
 Toll Free: (888) 532-5832
faninfo@daltecfans.com
www.daltecfans.com

United States:
 Daltec Industries Ltd.
 Maple Grove, Minnesota, 55311
 Toll Free: (888) 5Daltec
 (888) 532-5832
wdimarco@daltecfans.com
www.daltecfans.com

