



CONDENSER FAN

Daltec's PFD fan is right at home in all OEM Condenser Fan applications. Standard equipment includes an adjustable pitch impeller, which allows for exact performance matching without the need for belts and pulleys. The PFD Condenser Fan impeller incorporates the most efficient combination of high air volume, low power consumption and low noise. A heavy gauge steel housing and performance enhancing deep drawn venturi are also standard fare. For appearance and protection we coat every unit with a durable powder coat paint.

Daltec ... making fans to fit your equipment.

Design Features

- Cast aluminum or GRP construction
- Standard sizes 10" to 72" diameter
- 2 to 16 blade/hub combinations
- Adjustable pitch airfoil impeller
- Excellent sound performance
- 300 – 100,000 CFM
- Maintenance free

Optional Items

- ATEX motors
- Choice of colors
- Custom designs
- Oversized & hinged panels
- AMCA spark resistant construction
- Motor side and/or propeller side guard
- Stainless steel or aluminum construction
- TEFC, explosion proof, mill & chem motors
- Single phase, three phase, 50 HZ & 60 HZ
- Flat panel and ring type housings available

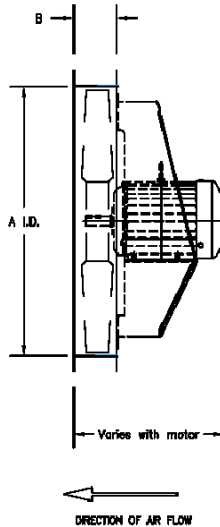
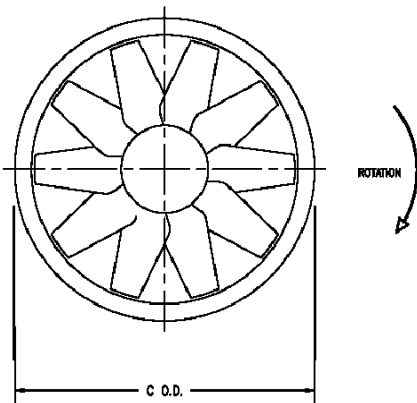
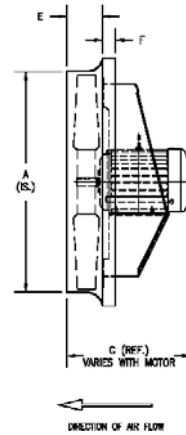
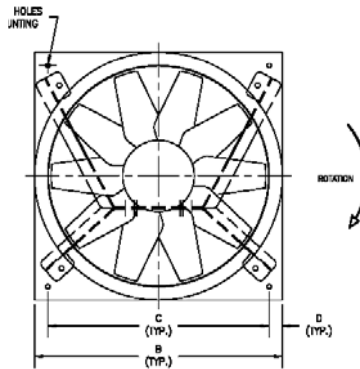


CONDENSER FAN

Trouble making that off the shelf fan fit, Daltec has the solution.

Panel Fan Dimensions (inches)						
Model	A	B	C	E	F	T
PFD12	12.5	16	13	2.5	1.5	16 ga.
PFD18	18.75	22	19	2.5	1.5	14 ga.
PFD21	21.75	25	22	4	1.5	14 ga.
PFD24	24.875	28	25	4	1.5	14 ga.
PFD27	27.875	32	29	4	1.5	14 ga.
PFD30	31	36	33.25	4	2	14 ga.
PFD36	36.875	42	39.25	4	2	14 ga.
PFD42	42.875	48	42.25	4.75	3	14 ga.
PFD48	48.875	54	51.25	5	3	14 ga.
PFD54	55	60	N/A	5.5	4	12 ga.

Dimensions are preliminary and are not to be used for construction.
Please contact Daltec (888) 532-5832 for exact dimensional details.



Flange Fan Dimensions (inches)			
Model	A	B	C
FFD12	12.25	4	15
FFD18	18.25	4	22
FFD21	21.25	4	24.5
FFD24	24.25	4	27.5
FFD27	27.25	4	31
FFD30	30.25	4	34
FFD36	36.25	4	40

Also Available
From Daltec

Custom GPI
Pressure Blowers
& Fans



OEM Centrifugal &
Axial Impellers



Heavy Duty Exhaust
Fans & Blowers



Mixed Flow Fans &
Impellers



For complete
performance ratings
and/or quotation,
please contact your
local Daltec sales
representative or call
(888) 5DALTEC
(532-5832) for
assistance

Optional Items and Accessories

- Weatherproof
- High Temperature Designs
- Reversible Designs
- Plastic Impellers
- Aluminum Impellers
- Aluminum Housings
- Heavy Duty Box Designs
- Standard Designs
- Custom Units
- Propeller Side OSHA Guard
- Motor Side OSHA Guard
- OEM Oriented

Daltec can customize many of the dimensions to fit your specific need. Even with small quantities, customization can be as cost effective as off the shelf. Give us a call and to see what we can do.

Daltec ... working with you.



Canada:
Daltec Industries Ltd.
Guelph, Ontario, N1G 4W1
Tel: (519) 837-1921
Toll Free: (888) 532-5832
faninfo@daltecfans.com
www.daltecfans.com

United States:
Daltec Industries Ltd.
Toll Free: (888) 5Daltec
(888) 532-5832
wdimarco@daltecfans.com
www.daltecfans.com



MEMBER