



# PRESSURE BLOWERS

DPB Pressure Blowers are the ideal fans for moving small amounts of air at higher static pressures. The die cast aluminum radial impeller is self-cleaning and maintenance free. The housing and motor supports are solid 16 gauge painted steel. Five sizes to choose from with unlimited motor options.

Perfect for dust collectors, moving dust laden air or general exhaust.

Looking for a small industrial fan that is priced right ... look no further.

## Design Features

- Clockwise or counter clockwise rotation
- Supplied with or without motor pedestal
- Continuously welded housings
- Wheel diameters from 8" – 14"
- Multiple discharge positions
- Discharge rotatable in field
- Capacities to 2100 CFM
- Pressure to 12" SP
- Suitable to 140° F

## Optional Items

- Custom designs
- Weather hood, inlet filters
- Belt drive arrangement # 9
- Direct drive arrangement # 4
- AMCA spark resistant construction
- Single phase, three phase, 50 Hz & 60 Hz
- Dampers, flanges, shaft seals and guards
- TEFC, explosion proof, mill & chem, ATEX motors




**PRESSURE BLOWERS**



**Performance Data**

**DPB Pressure Blowers**

Size	Max HP	RPM	CFM									
			.25" SP	.5" SP	1" SP	1.5" SP	2" SP	2.5" SP	3" SP	3.5" SP	4" SP	
DPB8	0.33	3450	283	274	256	237	216	192	165	129	70	
DPB9	0.5	3450							374	346	316	282
DPB9	0.75	3450	475	465	445	423	399	374	346	316	282	
DPB11	1	3450										
DPB11	1.5	3450	786	722	746	719	692	664	635	606	575	
DPB12	3	3450	1185	1171	1145	1117	1090	1062	1033	1004	974	
DPB14	5	3450										
DPB14	7.5	3450	2100	2079	2037	1995	1952	1909	1866	1822	1777	

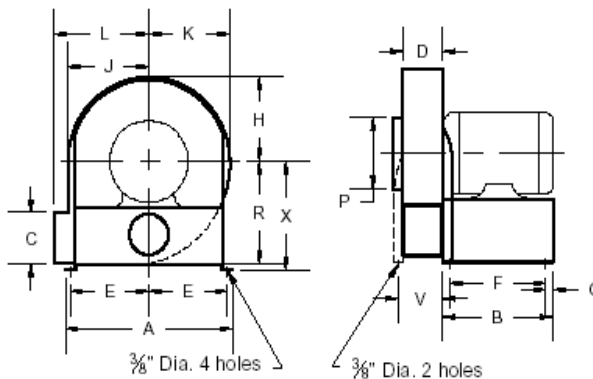
Size	Max HP	RPM	CFM								
			4.5"	5" SP	6" SP	7" SP	8" SP	9" SP	10" SP	11" SP	12" SP
DPB9	0.5	3450	238	195							
	0.75	3450	238	195							
	1	3450		508	431	329					
	1.5	3450	541	508	431	329					
	3	3450	942	911	842	765	672	549			
	5	3450		1685	1587	1482	1367	1236	1081	874	474
DPB14	7.5	3450	1735	1685	1587	1482	1367	1236	1081	874	474

**Dimensional Data**

an Assembly																
Size	A	B	E	F	G	H	J	K	L	O	R	X	S	T	V	Size
DPB8	11	8	5	7	1/2	5-3/8	4-7/8	5-7/8	5-7/8	16	6/58	8-1/2	13-1/8	12		DPB8
DPB9	12-1/8	8	5-5/8	7	1/2	6-3/8	5-3/4	6-7/8	6-3/4	20-3/4	7-1/2	9-3/8	14-5/8	16		DPB9
DPB11	14-3/4	9	6-7/8	7-1/2	3/4	7-1/4	6-1/2	8	7-5/8	20-3/4	8-5/8	11-3/4	18-1/4	16		DPB11
DPB12	17	8	8	6-1/2	3/4	8-1/4	7-1/2	9	9-5/8	20-1/8	10	10-5/8	18-3/8	15		DPB12
DPB14	17-5/8	11-1/4	8	9-9/16	1	10-1/2	9-5/8	11-3/8	11	22	11-1/2	12-5/8	21-1/2	15	7-1/4	DPB14

Dimensions are preliminary and are not to be used for construction. Please contact Daltec (888) 532-5832 for exact dimensional details.

Impeller	Inlet	Outlet		Size
Impeller Size	p	C	D	
7-3/4 x 2-1/4	4	3	3	DPB8
9 x 2-3/4	5	3-1/2	3-1/2	DPB9
10-5/8 x 3	6	4	3-1/2	DPB11
12-1/2 x 3	7	5	4	DPB12
13-1/2 x 4-3/8	8	7-1/8	5-3/4	DPB14



Also available in belt drive



**Canada:**  
Daltec Industries Ltd.  
Guelph, Ontario, N1G 4W1  
Tel: (519) 837-1921  
Toll Free: (888) 532-5832  
[faninfo@daltecfans.com](mailto:faninfo@daltecfans.com)  
[www.daltecfans.com](http://www.daltecfans.com)

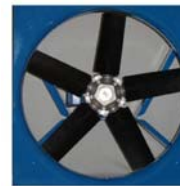
**United States:**  
Daltec Industries Ltd.  
Toll Free: (888) 5Daltec  
(888) 532-5832  
[wdimarco@daltecfans.com](mailto:wdimarco@daltecfans.com)  
[www.daltecfans.com](http://www.daltecfans.com)

Also Available From Daltec

Replacement & OEM Impellers



Panel / Wall Fans



Industrial Fans



In-line Centrifugal Fans



For complete performance ratings and/or quotation, please contact your local Daltec sales representative or call (888) 5DALTEC (532-5832) for assistance



MEMBER