



## MARINE DUTY FANS & BLOWERS

Daltec Marine Duty Blowers are built tough for demanding marine duty applications. From the extra heavy housings and flanges, solid cast aluminum, plastic or steel impeller and extra durable epoxy finish, Daltec Marine Duty Blowers are designed with sea worthiness in mind. All Daltec Marine Duty Blowers can be mounted in any position horizontal or vertically.

Standard motors include totally enclosed marine duty IEEE 45, below deck. Units include extended motor leads with an external junction box.

It's anchors away with Daltec Marine Duty Blowers.



MARINE DUTY FANS & BLOWERS

### Design Features

- Extended motor leads and external junction box.
- Duct fans to 10" static pressure, 60" diameter
- Statically & dynamically balanced impellers
- Marine duty IEEE 45, below deck motors
- Capacities from 500 - 100,000 CFM
- Continuously welded housings
- Panel fans to 72" diameter
- Adjustable pitch impellers

### Optional Items

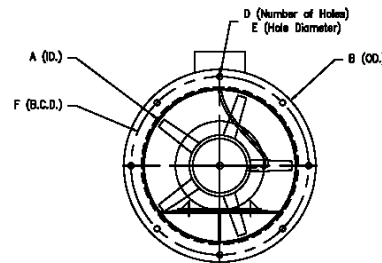
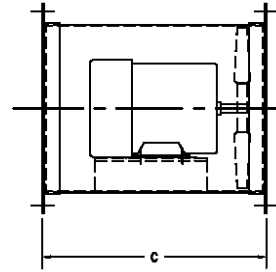
- Custom designs
- Hot Dip Galvanizing
- AMCA spark resistant construction
- Single phase, three phase, 50 Hz & 60 Hz
- Stainless steel, aluminum or steel construction
- Companion flanges, mounting feet, access door
- TEFC, explosion proof, mill & chem, ATEX motors
- Guide vane section, inlet and/or outlet guard, inlet bell



# Come on board with **Daltec** Marine Duty fans ... and “sea” the difference quality makes

Model	Dimensions (inches)						Max. Motor Frame
	A	B	C	D	E	F	
MDD12	12	15 3/16	18	12	7/16	13 13/16	145T
MDD18	18	18 3/16	21	12	7/16	17	145T
MDD21	21	22 3/16	24	12	7/16	20 3/4	215T
MDD24	24	24 3/16	27	12	7/16	22 3/4	256T
MDD27	27	27 3/16	30	12	7/16	25 3/4	286T
MDD30	30	34 3/16	33	16	7/16	32 3/8	326T
MDD36	36	42 3/16	38	16	7/16	40 3/8	365T
MDD42	42	52 3/16	44	24	7/16	50 3/8	405T
MDD48	48	66 1/2	52	24	5/8	64	447T
MDD54	54	81 1/2	52	24	5/8	79	447T

Dimensions are preliminary and are not to be used for construction.  
Please contact Daltec (888) 532-5832 for exact dimensional details.



Also Available  
From Daltec

OEM Centrifugal &  
Axial Impellers



Compact GPI  
Pressure Blowers &  
Fans



Double Wide  
Centrifugal

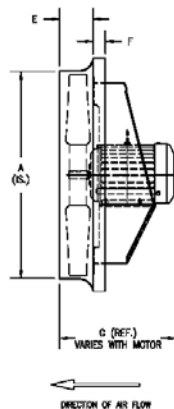
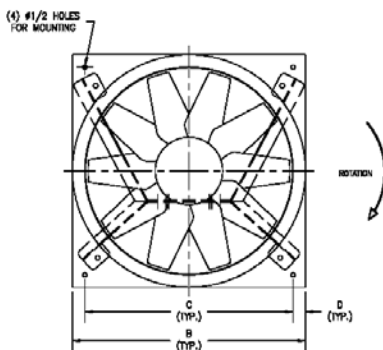
In-line Centrifugal  
Fans

For complete performance ratings and/or quotation, please contact your local Daltec sales representative or call (888) 5DALTEC (532-5832) for assistance



All Daltec Marine Duty fans include an adjustable pitch cast aluminum impeller. Drawing on our extensive range of hubs and blades, we carefully match each to maximize efficiency and performance. Larger hub to blade ratios allow us to move air at higher static pressures. Applications requiring lower static pressures allow us to utilize smaller less expensive hubs and longer blades.

Our impellers can also be used as generic replacements on all competitors' fans. The adjustable pitch feature on our impellers allows us to match most performance needs while providing any diameter from 12" – 86.6". Call Daltec for details.



Model	Dimensions (inches)						T
	A	B	C	E	F		
PFD12	12.5	16	13	2.5	1.5	16 ga.	
PFD18	18.75	22	19	2.5	1.5	14 ga.	
PFD21	21.75	25	22	4	1.5	14 ga.	
PFD24	24.875	28	25	4	1.5	14 ga.	
PFD27	27.875	32	29	4	1.5	14 ga.	
PFD30	31	36	33.25	4	2	14 ga.	
PFD36	36.875	42	39.25	4	2	14 ga.	
PFD42	42.875	48	42.25	4.75	3	14 ga.	
PFD48	48.875	54	51.25	5	3	14 ga..	
PFD54	55	60	N/A	5.5	4	12 ga.	

Dimensions are preliminary and are not to be used for construction.  
Please contact Daltec (888) 532-5832 for exact dimensional details.



Canada:  
Daltec Industries Ltd.  
Guelph, Ontario, N1E 5V5  
Tel: (519) 837-1921  
Toll Free: (888) 532-5832  
[faninfo@daltecfans.com](mailto:faninfo@daltecfans.com)  
[www.daltecfans.com](http://www.daltecfans.com)

United States:  
Daltec Industries Ltd.  
Maple Grove, Minnesota, 55311  
Toll Free: (888) 5Daltec  
(888) 532-5832  
[wdimarco@daltecfans.com](mailto:wdimarco@daltecfans.com)  
[www.daltecfans.com](http://www.daltecfans.com)