



## PB PRESSURE BLOWERS

PB Pressure Blowers are the ideal fans for moving small amounts of air at higher static pressures. The die cast aluminum radial impeller is self-cleaning and maintenance free. The housing and motor supports are solid 16 gauge painted steel. Five sizes to choose from with unlimited motor options.

Perfect for dust collectors, moving dust laden air or general exhaust.

Looking for a small industrial fan that is priced right ... look no further.

### Design Features

- Clockwise or counter clockwise rotation
- Supplied with or without motor pedestal
- Continuously welded housings
- Wheel diameters from 8" – 14"
- Multiple discharge positions
- Discharge rotatable in field
- Capacities to 2100 CFM
- Pressure to 12" SP
- Suitable to 140° F

### Optional Items

- Custom designs
- Weather hood, inlet filters
- Belt drive arrangement # 9
- Direct drive arrangement # 4
- AMCA spark resistant construction
- Single phase, three phase, 50 Hz & 60 Hz
- Dampers, flanges, shaft seals and guards
- TEFC, explosion proof, mill & chem, ATEX motors



PB PRESSURE BLOWERS



**Performance Data**

**PB Pressure Blowers**

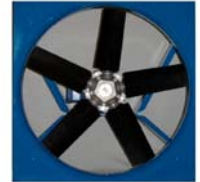
**Also Available From Daltec**


Size	Max HP	RPM	CFM									
			.25" SP	.5" SP	1" SP	1.5" SP	2" SP	2.5" SP	3" SP	3.5" SP	4" SP	
PB8	0.33	3450	283	274	256	237	216	192	165	129	70	
PB9	0.5	3450							374	346	316	282
PB9	0.75	3450	475	465	445	423	399	374	346	316	282	
PB11	1	3450										
PB11	1.5	3450	786	722	746	719	692	664	635	606	575	
PB12	3	3450	1185	1171	1145	1117	1090	1062	1033	1004	974	
PB14	5	3450										
PB14	7.5	3450	2100	2079	2037	1995	1952	1909	1866	1822	1777	

**Replacement & OEM Impellers**



**Panel / Wall Fans**



Size	Max HP	RPM	CFM									
			4.5"	5" SP	6" SP	7" SP	8" SP	9" SP	10" SP	11" SP	12" SP	
PB9	0.5	3450	238	195								
PB9	0.75	3450	238	195								
PB11	1	3450			508	431	329					
PB11	1.5	3450	541	508	431	329						
PB12	3	3450	942	911	842	765	672	549				
PB14	5	3450			1685	1587	1482	1367	1236	1081	874	474
PB14	7.5	3450	1735	1685	1587	1482	1367	1236	1081	874	474	

**Industrial Fans**



**Dimensional Data**

an Assembly																
Size	A	B	E	F	G	H	J	K	L	O	R	X	S	T	V	Size
PB8	11	8	5	7	1/2	5-3/8	4-7/8	5-7/8	5-7/8	16	6/58	8-1/2	13-1/8	12		PB8
PB9	12-1/8	8	5-5/8	7	1/2	6-3/8	5-3/4	6-7/8	6-3/4	20-3/4	7-1/2	9-3/8	14-5/8	16		PB9
PB11	14-3/4	9	6-7/8	7-1/2	3/4	7-1/4	6-1/2	8	7-5/8	20-3/4	8-5/8	11-3/4	18-1/4	16		PB11
PB12	17	8	8	6-1/2	3/4	8-1/4	7-1/2	9	9-5/8	20-1/8	10	10-5/8	18-3/8	15		PB12
PB14	17-5/8	11-1/4	8	9-9/16	1	10-1/2	9-5/8	11-3/8	11	22	11-1/2	12-5/8	21-1/2	15	7-1/4	PB14

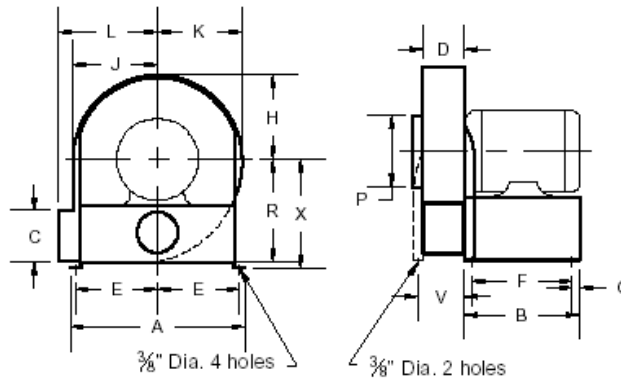
Dimensions are preliminary and are not to be used for construction. Please contact Daltec (888) 532-5832 for exact dimensional details.

**In-line Centrifugal Fans**



Size	Impeller	Inlet		Outlet		Size
	Impeller Size	p	C	D		
PB8	7-3/4 x 2-1/4	4	3	3		PB8
PB9	9 x 2-3/4	5	3-1/2	3-1/2		PB9
PB11	10-5/8 x 3	6	4	3-1/2		PB11
PB12	12-1/2 x 3	7	5	4		PB12
PB14	13-1/2 x 4-3/8	8	7-1/8	5-3/4		PB14

Dimensions are preliminary and are not to be used for construction.



For complete performance ratings and/or quotation, please contact your local Daltec sales representative or call (888) 5DALTEC (532-5832) for assistance



**Canada:**  
Daltec Industries Ltd.  
Guelph, Ontario, N1E 5V5  
Tel: (519) 837-1921  
Toll Free: (888) 532-5832  
[faninfo@daltecfans.com](mailto:faninfo@daltecfans.com)  
[www.daltecfans.com](http://www.daltecfans.com)

**United States:**  
Daltec Industries Ltd.  
Maple Grove, Minnesota, 55311  
Toll Free: (888) 5Daltec  
(888) 532-5832  
[wdimarco@daltecfans.com](mailto:wdimarco@daltecfans.com)  
[www.daltecfans.com](http://www.daltecfans.com)

